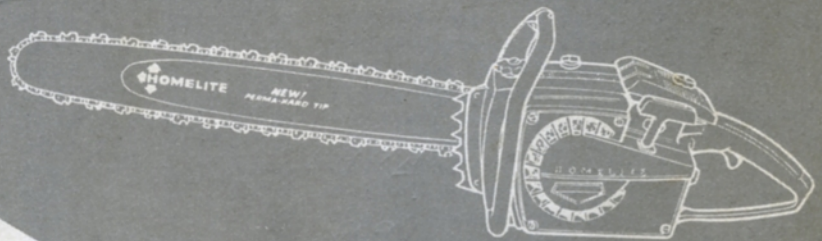


**CHAIN SAW
PARTS LIST**

XL-913M

HOMELITE®



Part No. 24363



A Textron
DIVISION

PORT CHESTER, N.Y. U.S.A.

XL-913M

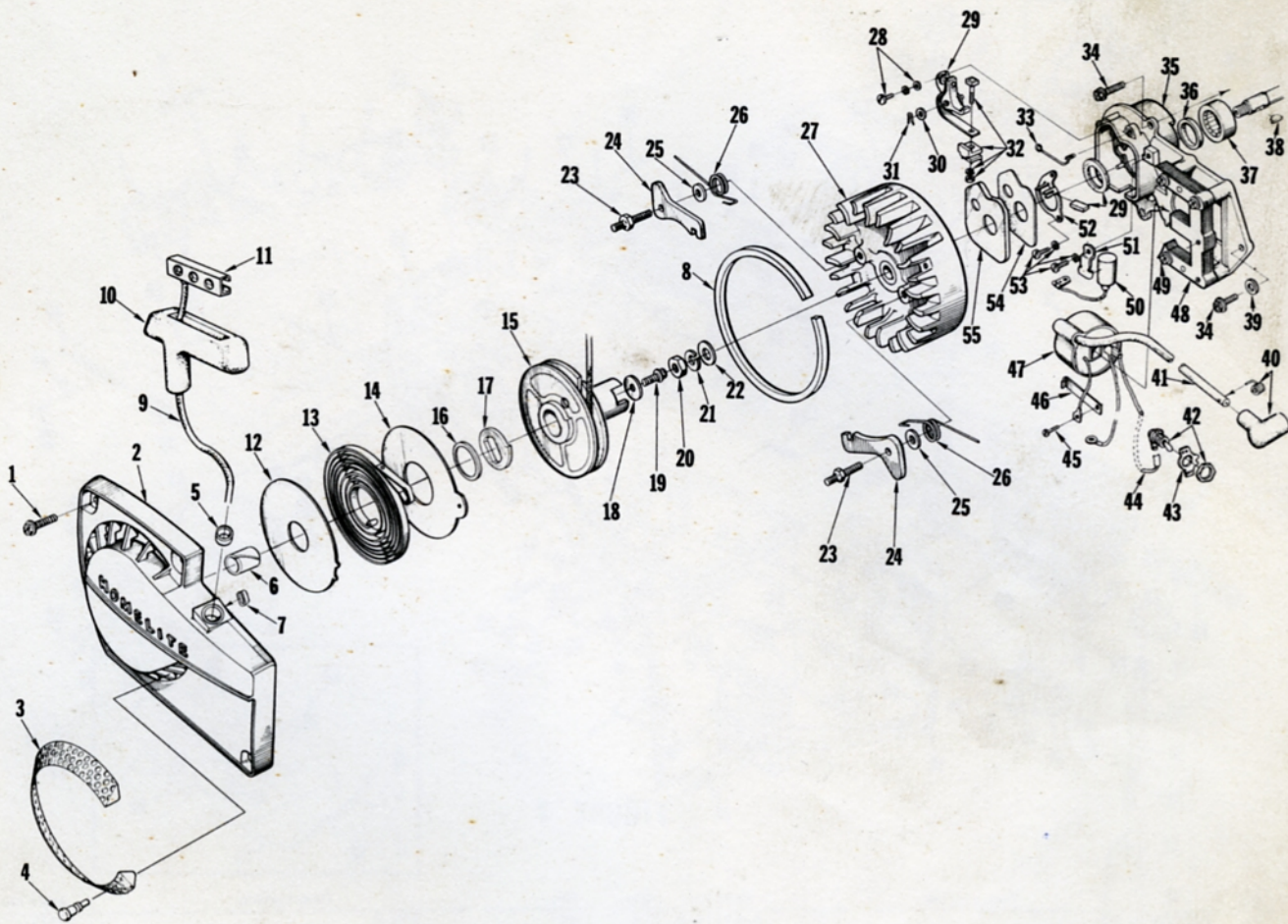


FIGURE 1

No.	Description	Part No.	Qty.	No.	Description	Part No.	Qty.
1	SCREW-hex, 12-24 x 5/8	80676	4	29	POINTS-breaker	A-63631	1
*2	HOUSING-fan	A-64504-B	1	30	Includes: WASHER-point	28028	1
3	Includes: SCREEN-fan housing	A-64421	1	31	CLIP-post	28008	1
4	Includes: STUD	67191	11	32	BLOCK-terminal	A-58934	1
5	BUSHING-starting rope	67177	1	33	SPRING-clip cover	76413	1
6	BUSHING-starter post	64443	1	34	SCREW-hex, 1/4-20 x 5/8	80048-1	4
7	BUSHING-rewind spring	65830	1	*35	PLATE-magneto back	A-67602	1
*8	RING-air flow	67409	1	36	Includes: SEAL	58688-A	1
9	ROPE-starting	58806	1	37	BEARING-roller	63195	1
10	GRIP-starting rope	58915	1	38	KEY-woodruff	75078	1
11	INSERT-rope retaining	58847	1	*39	WASHER-tab lock	67875-1	1
12	SHIELD-spring (inner)	63566	1	40	TERMINAL-spark plug	A-33055	1
13	SPRING-rewind	63268-A	1	41	LEAD-high tension	63632	1
14	SHIELD-spring (outer)	63565-A	1	42	SWITCH-toggle w/nut	A-57650-3	1
15	PULLEY-rewind starter	A-64446	1	43	PLATE-indicating "On-Off"	72085-A	1
16	Includes: BUSHING-spring lock	64400	1	44	LEAD-ground	A-59031	1
17	LOCK-rewind spring	64049-A	1	45	SCREW-ground	64090	1
18	WASHER-retaining	58763	1	46	CLIP-coil retaining	63726	1
19	SCREW-hex, 10-32 x 1/2	80648	1	47	COIL-ignition	63625	1
20	NUT-hex, 3/8-24	81124	1	48	CORE-coil	63630	1
21	WASHER-lock, 3/8	83102	1	49	SCREW-coil core	64021	4
22	WASHER-flat, 3/8	84010-1	1	50	CONDENSER	63626	1
23	STUD-shoulder	58757-B	2	51	CLAMP-condenser	63627	1
24	PAWL-starter	58756	2	52	RETAINER-felt	63628	1
25	WASHER	58851	2	53	SCREW-contact plate	55411	3
26	SPRING-starter pawl	58758	2	54	GASKET-breaker box cover	63316	1
27	ROTOR-magneto	63406	1	55	COVER-breaker box	63317	1
28	SCREW-contact plate	76421	1				

* Denotes new parts.

XL-913M

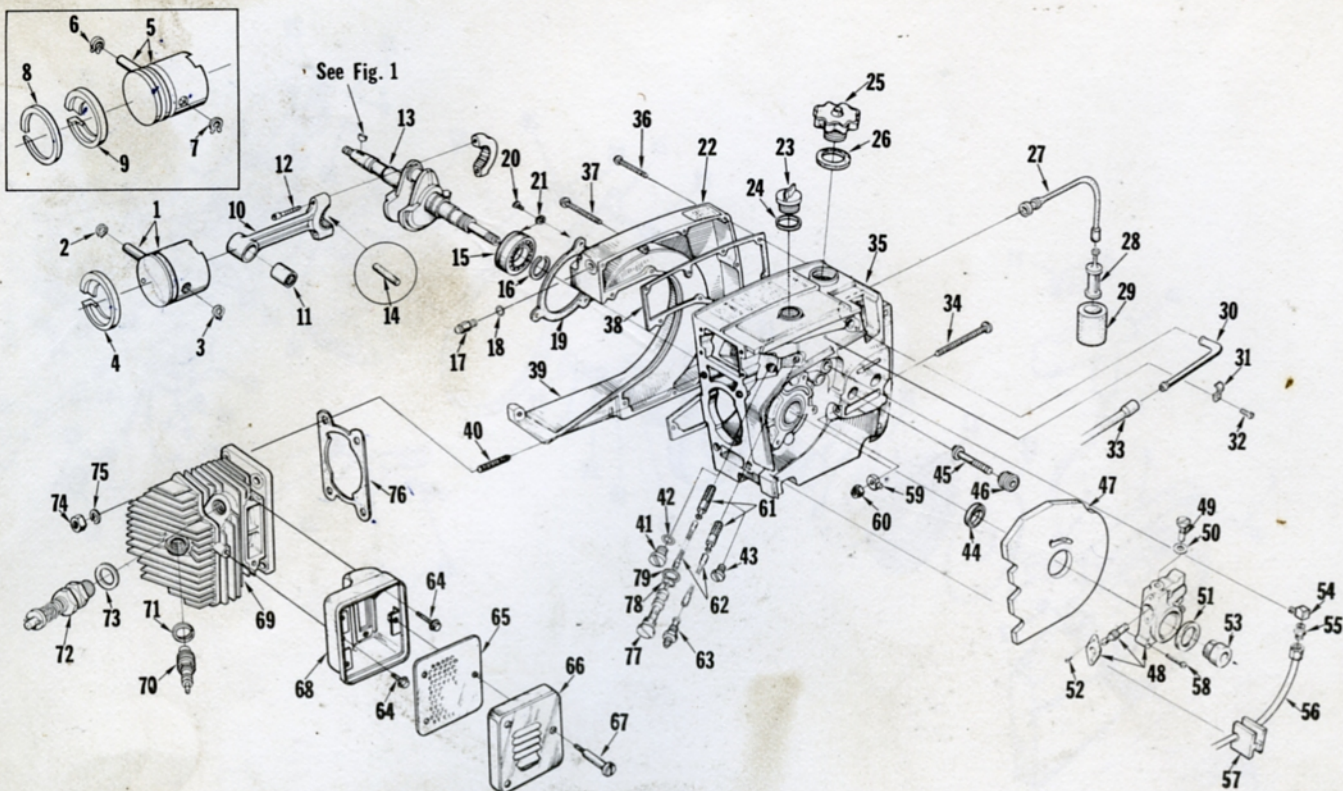


FIGURE 2

No.	Description	Part No.	Qty.	No.	Description	Part No.	Qty.
*1	PISTON & PIN	A-67179-A	1	40	STUD	55871	4
2	Includes: RING-piston pin retaining	64742	1	41	CAP	63115	1
3	RING-pin retaining	55095	1	42	WASHER	58138	1
4	PISTON RING-"L" shaped	67108	1	43	PLUG-pipe	28097	1
*5	PISTON & PIN	A-68066	1	44	SEAL	58688-A	1
6	Includes: RING-piston pin retaining	64742	1	45	STUD-guide bar	59764-A	2
7	RING-pin retaining	55095	1	46	INSERT-threaded	59896-A	2
8	PISTON RING	55537	1	47	SHIELD-sawdust	A-64715	1
9	PISTON RING-"L" shaped	67108	1	48	PUMP-automatic oil	A-64384	1
*10	ROD-connecting	A-63309-1	1	49	Includes: SCREW-cam	64102-A	1
11	Includes: BEARING-needle	59351	1	50	GASKET-cam screw	59736	1
12	SCREW-socket, 8-32 x 9/16	80805	2	51	SEAL-felt	59926	1
13	CRANKSHAFT	59625-2	1	52	SCREW-pan, 4-40 x 1/4	80919	2
14	BEARING-needle (28 rollers)	A-64621	1	53	WORM-gear	59675	1
15	BEARING-ball	58190-S	1	54	CONNECTOR-elbow, 90°	31734	1
16	RING-retaining	58319-A	1	55	FITTING-tube	65696	1
17	VALVE-check	A-65608	1	56	LINE-oil (intake)	A-65705	1
18	"O" RING	65613	1	57	GROMMET-oil line	65357	1
19	GASKET-crankcase	63319-A	1	58	SCREW-fil., 8-32 x 3/4	80248	3
20	SCREW-bearing retaining	59704	2	*59	PIN-guide bar adjusting	67586-1	1
21	WASHER-lock	59705	2	60	NUT-flexloc, 1/4-20	81108	1
22	DECAL-caution	64144	1	61	FILTER-oil	A-64293	2
23	CAP-oil filler	A-63717-A	1	62	LINE-oil pick-up	59000	2
24	Includes: GASKET	56607	1	63	CONNECTOR-oil filter	65695	1
	VALVE-check (not shown)	63718	1	64	SCREW-hex, 12-24 x 5/8	80978	3
25	CAP-fuel filler	A-65809	1	65	BAFFLE-muffler	63521-A	1
26	Includes: GASKET	58957	1	66	CAP-muffler	63520-3	1
27	LINE-fuel (flexible)	65593	1	67	SCREW-shoulder	63855-A	3
28	FILTER-fuel	A-59251	1	68	BODY-muffler	A-63535-1A	1
29	Includes: FILTER-felt	59253-1	1	*69	CYLINDER-2 1/16" bore	65605-3	1
30	CONNECTOR-fuel line	67080	1	70	SPARK PLUG	63547-S	1
31	CLAMP-fuel line	65597-1	1	71	Includes: GASKET	25038	1
32	SCREW-pan, 6-32 x 5/16	80605	1	72	VALVE-decompression (See Note 1)	A-65883	1
33	LINE-fuel	65718	1	73	Includes: WASHER-copper	65825	1
34	SCREW-guide bar adjusting	63367	1	74	NUT-hex, 1/4-28	81065-2	4
*35	CRANKCASE & TANK	A-65879-A	1	75	WASHER-lock, 1/4	83009	4
	Includes: GASKET (not shown)	58338	1	76	GASKET-cylinder	63778-1	1
	CAP (not shown)	58339	1	77	TUBE-oil line	63452-A	1
	SCREW-hex, 1/4-20 x 5/8 (See Fig. 1)	80048-1	3	78	"O" RING	58406	1
	SCREW-fil., 8-32 x 5/8	82146	6	79	GASKET-oil line tube	63751	1
	SCREW-fil., 8-32 x 1 3/4	82147	9				
	GASKET-fuel tank	65391	1				
	COVER-fuel tank	64825-4	1				

NOTE 1: Optional: Plug and Washer A-67228.

* Denotes new parts.

XL-913M

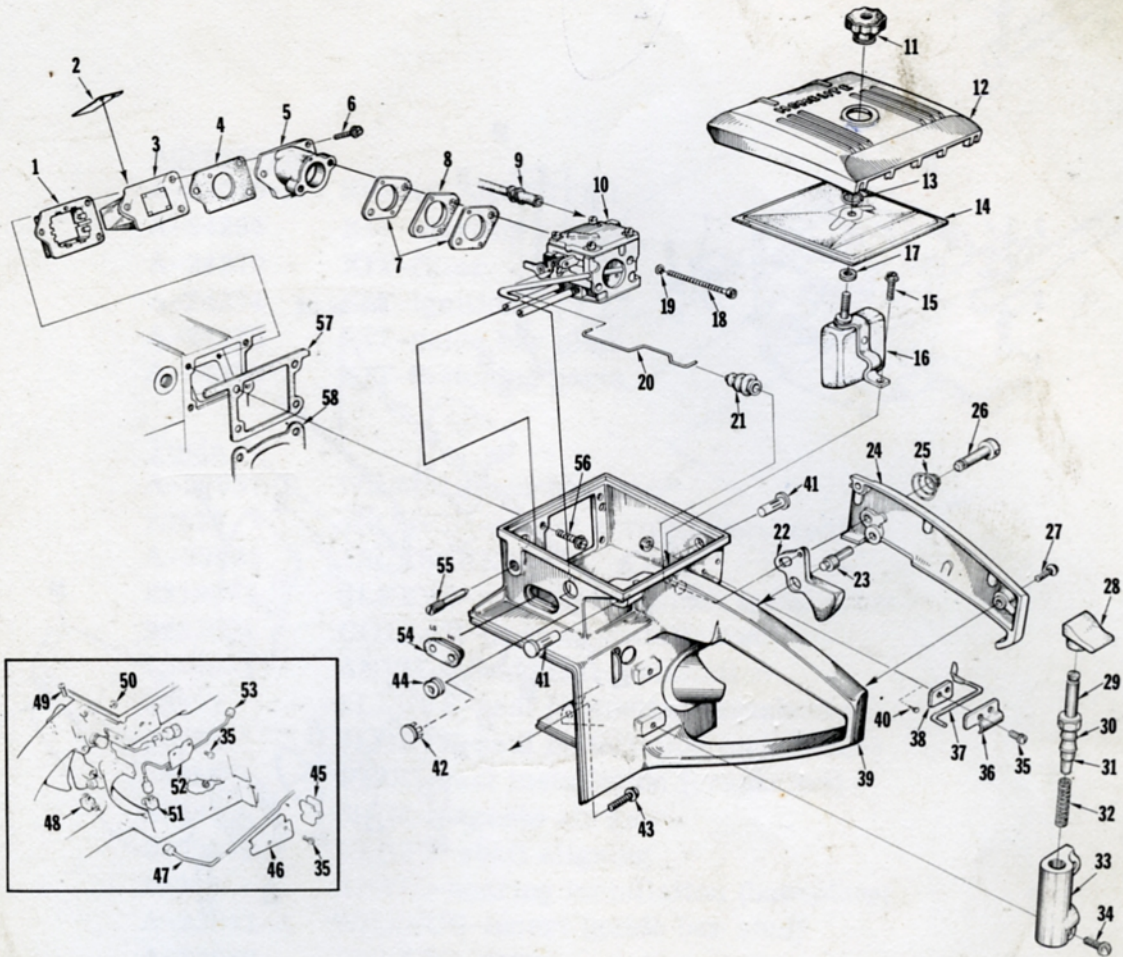


FIGURE 3

No.	Description	Part No.	Qty.	No.	Description	Part No.	Qty.
*1	RETAINER-reed valve	63370-A	1	29	PLUNGER-oil pump	A-57834-16	1
*2	VALVE-reed	63166-A	4	30	Includes: "O" RING-shaft	59074	1
*3	SEAT-reed valve	63371-B	1	31	"O" RING-plunger	74388	1
4	GASKET-reed valve seat	65483	1	32	SPRING-compression	59293	1
5	SPACER-reed valve seat	63019-1A	1	33	BODY-oil pump	63343-5	1
6	SCREW-shoulder	65489	3	34	SCREW-hex, 8-32 x 7/8	80568	2
*7	GASKET-carburetor	67540	2	35	SCREW-pan, 6-32 x 3/8	80571	6
*8	SPACER-carburetor	67539	1	36	CLAMP-lever	65821-1	1
9	LINE-fuel	65718	1	37	LEVER-poppet valve	65630	1
*10	CARBURETOR	A-67819	1	38	PLATE-lever	65629-1	1
*	CARBURETOR-alternate	A-67890	1	39	HANDLE-throttle	A-65881-B	1
11	NUT-cover mounting	A-63582-A	1	40	Includes: PLUG-accordion	65889	2
12	COVER-air filter element	63634-1	1	41	PLUG-accordion	63848	2
13	RING-bearing retaining	58319-A	1	42	PLUG-button	67042	1
14	FILTER ELEMENT-air	63341	1	43	SCREW-hex, 12-24 x 7/8	80891	1
15	SCREW-hex, 12-24 x 1/2	80821	1	44	GROMMET	60929	1
16	DEFLECTOR-air w/bracket	A-67101	1	45	GROMMET-oil line	65357	1
17	Includes: GASKET-mounting nut	58392-1	1	46	CLAMP-oil line	65513-1	1
18	SCREW-hex, 10-32 x 2	80965	2	47	LINE-oil	A-65682	1
19	WASHER-lock, #10	83046	2	48	VALVE-check	A-65515	1
20	ROD-throttle	63266-A	1	49	SCREW-fil., 8-32 x 5/8	80023-2	1
21	BOOT-throttle rod	58348	1	50	NUT-lock, 6-32	81126	6
22	TRIGGER-throttle	65745	1	51	VALVE-check	A-65502	1
23	PIN-throttle lock adjusting	65719	1	52	CLAMP-oil line	65660-1	1
24	COVER-throttle handle	A-65882-A	1	53	LINE-oil	A-65705	1
	Includes: BUSHING-throttle lock (not shown)	65878	1	54	GROMMET	58858	1
25	SPRING-lock	65714	1	55	SCREW-idle adjustment	63369	1
26	PIN-throttle lock	65822	1	56	SCREW-hex, 12-24 x 5/8	80676	4
27	SCREW-pan, 8-32 x 1/2	80560	2	57	GASKET-throttle handle	63779-B	1
28	BUTTON-oil pump plunger	63622	1	58	GASKET-cylinder	63778-1	1

* Denotes new parts.

XL-913M

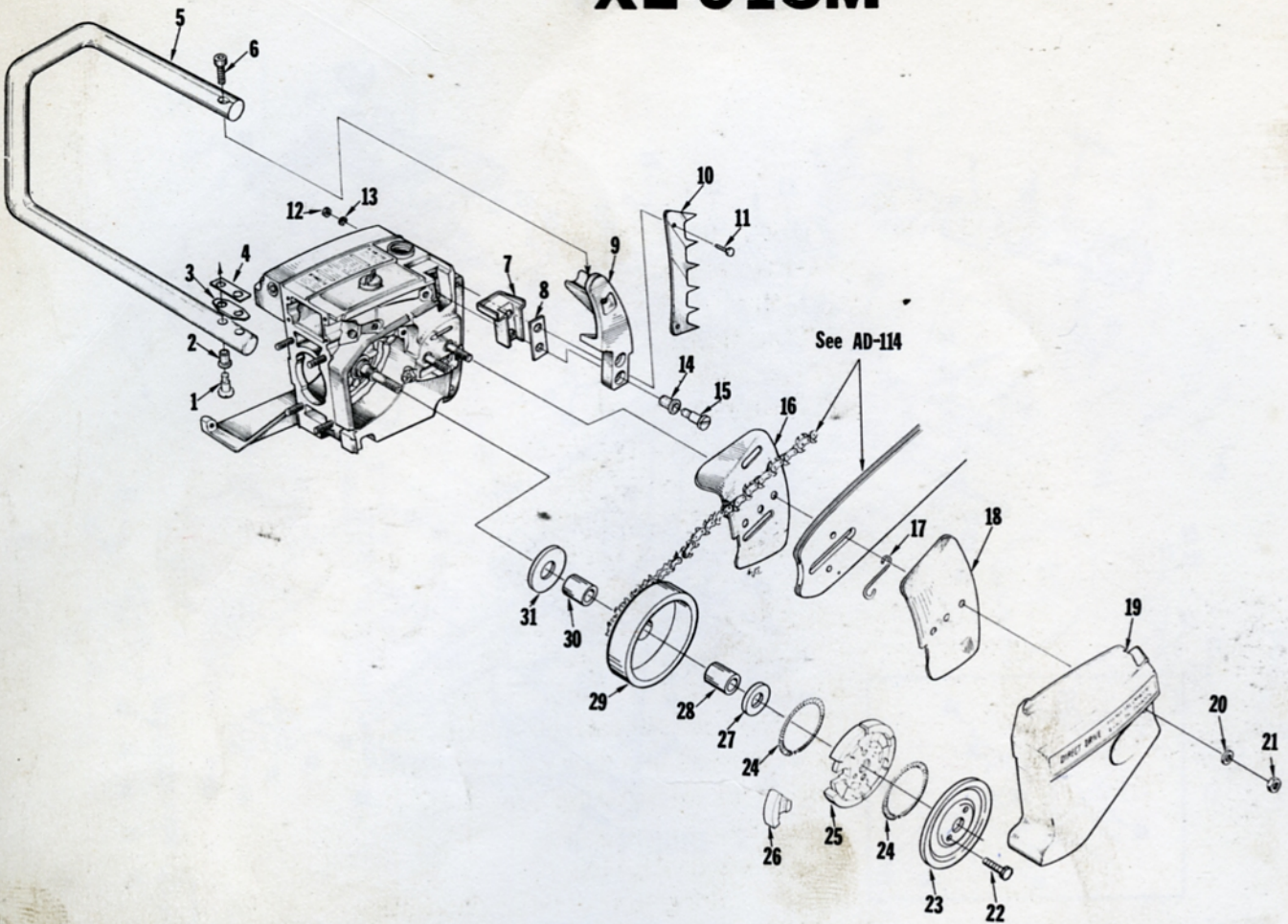


FIGURE 4

No.	Description	Part No.	Qty.	No.	Description	Part No.	Qty.
1	SCREW-shoulder	65520	2	20	WASHER-flat, 5/16	84032	2
2	GROMMET-handle bar	65518	2	21	NUT-hex, 5/16-18	81196	2
3	PLATE-handle bar	65599	1	22	SCREW-hex, 10-32 x 1/2	80361-1	2
4	SPACER-handle bar	65542	1	23	COVER-clutch	58751-1	1
5	HANDLE BAR-flush cut	A-65860-1	1	*24	SPRING-clutch	67441	2
6	SCREW-socket, 1/4-20 x 1	80428	1	25	SPIDER-clutch	65723-2	1
7	MOUNT-shock	65509	1	*26	SHOE-clutch	67896-1	6
8	PLATE-handle bar bracket	65598	1	27	WASHER-thrust (outer)	63462	1
*9	BRACKET-handle bar	65607-2	1	28	BEARING-roller	64124	1
10	KIT-spiked bumper	A-63720	1	29	SPROCKET & DRUM-3/8 pitch, 8 tooth	A-65732	1
11	Includes: SCREW-hex, 12-24 x 3/4	80867	2		SPROCKET & DRUM-.404 pitch, 7 tooth	A-65727	1
12	NUT-12-24	81068	2		SPROCKET & DRUM-.404 pitch, 8 tooth	A-65728	1
13	WASHER-lock, #12	83056	2		SPROCKET & DRUM-3/8 pitch, 7 tooth	A-65731	1
14	GROMMET	65519	2		DRUM & HUB-rim type (See Note 1)	A-65990	1
15	SCREW-shoulder	65521	2		SPROCKET-3/8 pitch, 7 tooth (rim type)	OM-68210	1
16	PLATE-guide bar (inner)	58781	1		.404 pitch, 7 tooth (rim type)	OM-10513	1
17	SPRING-guide bar	64448	1	30	RACE-inner	64129	1
18	PLATE-guide bar (outer)	58782	1	31	WASHER-thrust (inner) (See Note 1)	63463	1
19	COVER-drivecase	63009-2	1				

NOTE 1: Thrust Washer (inner) #63462 must replace Index #31 when using A-65990 Drum & Hub.

* Denotes new parts.

XL-913M

Accessories

A-63540-A SPARK ARRESTER
A-24266 KIT-starting rope
A-24270 KIT-filter
A-24274 KIT-ignition
A-24275 KIT-guide bar plate
A-24279 KIT-fastening parts

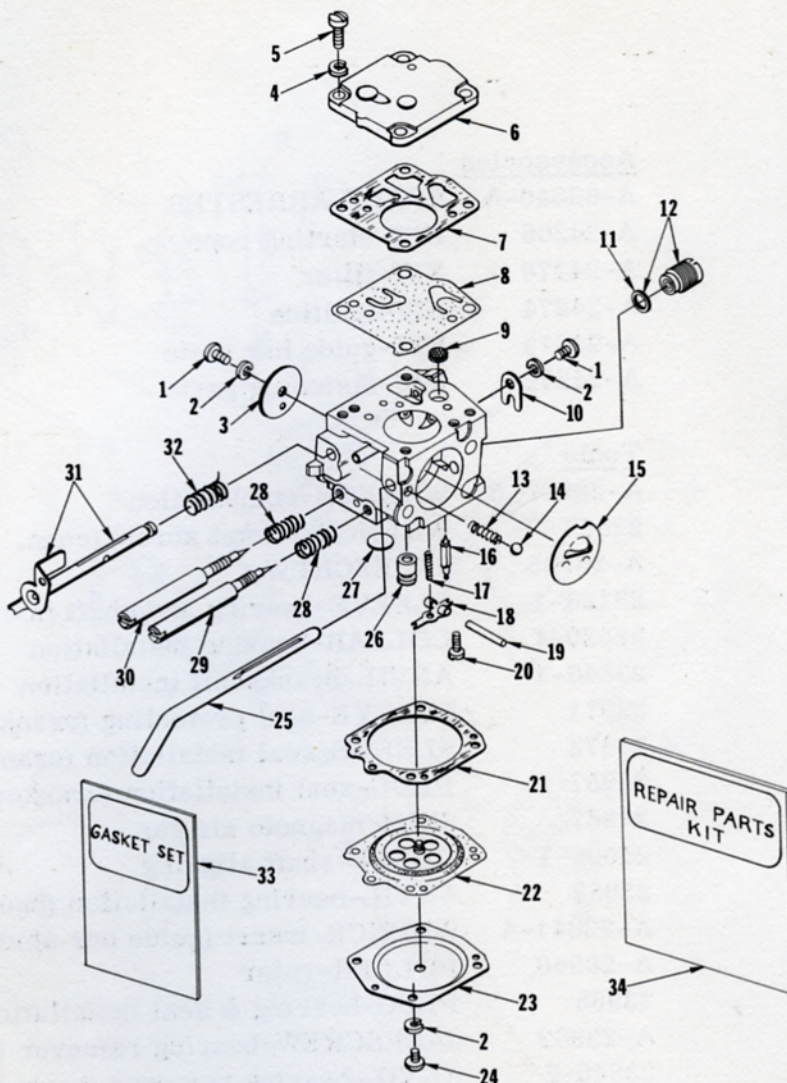
Tools

A-23937-B WRENCH-combination
23528 WRENCH-socket screw (conn. rod)
A-23965 JACKSCREW
23136-1 SLEEVE-bearing and shaft installation
22820-4 COLLAR-bearing installation
23846-1 ANVIL-crankshaft installation
23971 SLEEVE-seal protecting (crankcase)
23972 SLEEVE-seal installation (crankcase)
23957 PLUG-seal installation (crankcase)
23987 SHIM-magneto air gap
24006-1 PLATE-shaft aligning
23968 ANVIL-bearing installation (backplate)
A-23841-A WRENCH-insert (guide bar stud)
A-23960 PULLER-rotor
23956 PLUG-bearing & seal installation (backplate)
A-23962 JACKSCREW-bearing remover (backplate)
23846-2 ANVIL-bearing remover (backplate)
A-23696 WRENCH-spanner
24230 DRIVER-hand pozidriv
24304 BIT-pozidriv #2
23955-1 PLUG-bearing installation (conn. rod)

Paint

23343 SPRAY CAN-green
23560 SPRAY CAN-white
23475 SPRAY CAN-red

XL-913M



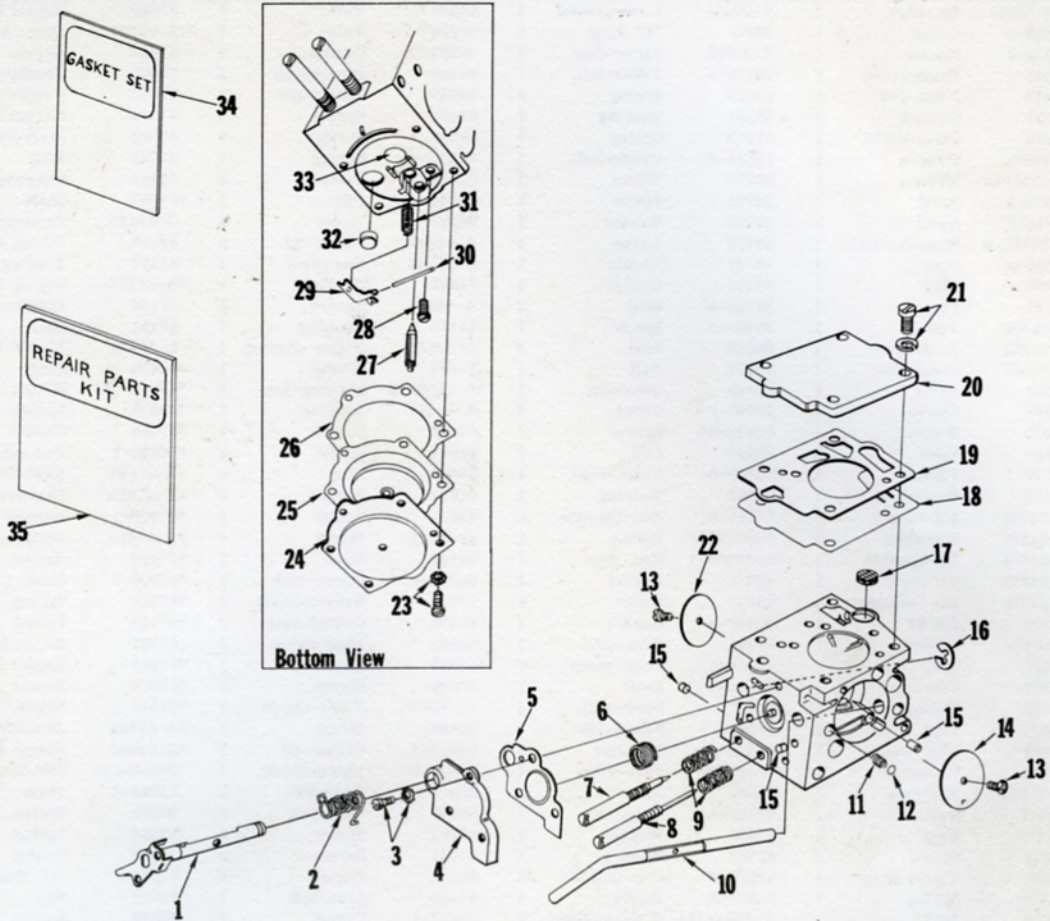
HS-86A
HS-86B

No.	Description	Part No.	Qty.	No.	Description	Part No.	Qty.
1	SCREW-rd., 4-40 x 3/16	†80264	2	18	LEVER-inlet control	†59716	1
2	WASHER-lock, #4	†83008-1	6	19	PIN-control lever fulcrum	†58977	1
*3	SHUTTER-throttle HS-86B	67994	1	20	SCREW-oval, 4-40 x 1/4	†65798	1
*	SHUTTER-throttle HS-86A	67892	1	21	GASKET-main diaphragm	58978	1
4	WASHER-lock, #6	83024	4	22	DIAPHRAGM-main control	†58988	1
5	SCREW-fil., 6-32 x 3/8	80275	4	23	COVER-main diaphragm	58979	1
6	COVER-fuel pump diaphragm	58975	1	24	SCREW-rd., 4-40 x 1/4	80591	4
7	GASKET-pump diaphragm	58981	1	25	SHAFT-choke	67032	1
8	DIAPHRAGM-fuel pump	†58980-R	1	*26	VALVE-check	54444	1
9	SCREEN-fuel inlet	†58974	1	27	PLUG-extension (large)	58991	1
10	CLIP-throttle shaft retaining	58982	1	28	SPRING-adjustment needle	†73075	2
11	GASKET	74060	1	29	SCREW-main adjustment	†63676	1
12	VALVE-governor	A-65801	1	30	SCREW-idle adjustment	†63677	1
13	SPRING-choke friction	73264	1	*31	SHAFT-throttle w/lever HS-86B	A-67995	1
14	BALL-choke friction	25527	2	*	SHAFT-throttle w/lever HS-86A	A-63345	1
15	SHUTTER-choke	58984	1	32	SPRING-throttle opening	†59460	1
16	NEEDLE-inlet	†59717	1	33	GASKET SET	†65895	1
17	SPRING-control lever	†55759	1	34	REPAIR KIT	65896	1

* Denotes new parts.

† Indicates contents of Repair Kit.

XL-913M



SDC-23

No.	Description	Part No.	Qty.	No.	Description	Part No.	Qty.
1	THROTTLE SHAFT ASSEMBLY	64225	1	19	GASKET-fuel pump	§67008	1
*2	SPRING-throttle return	†67929	1	20	COVER-fuel pump	64223	1
3	SCREW ASSEMBLY	67930	7	21	SCREW-feul pump cover	64694	4
4	COVER-accelerator pump	64222	1	22	VALVE-throttle	64226	1
5	DIAPHRAGM-accelerator pump cover	†67188	1	23	SCREW ASSEMBLY	64689	4
6	SPRING-accelerator pump	64240	1	24	COVER-metering diaphragm	64224	1
7	NEEDLE-idle	†67009	1	25	METERING DIAPHRAGM ASSEMBLY	†64235	1
8	NEEDLE-high speed	†67010	1	26	GASKET-metering diaphragm	§64231	1
9	SPRING-needle adjusting	†64236	2	27	VALVE-inlet needle	†64229	1
*10	CHOKE SHAFT ASSEMBLY	67088	1	28	SCREW-metering lever pin	†64688	1
11	SPRING-choke friction	†64238	1	29	LEVER-metering	†64245	1
12	BALL-choke friction	†60051	1	30	PIN-metering lever	†64244	1
13	SCREW-valve	†64693	2	*31	SPRING-metering lever	†67928	1
14	VALVE-choke	64228	1	32	PLUG-welch (idle, 3/8")	†30818	1
15	PLUG-limiting	64692	3	33	PLUG-welch (main, 5/16")	†65482	1
16	RING-throttle shaft retaining	64221	1	34	GASKET SET	†67019	1
17	SCREEN-fuel inlet	†64243	1	*35	REPAIR KIT	67965	1
18	DIAPHRAGM-fuel pump	†64233	1	*	REPAIR KIT-check valve	67966	1

† Included in #67965 Repair Kit.

§ Included in Gasket Set.

* Denotes new parts.

XL-913M

Part No.	Description	Qty.	Part No.	Description	Qty.	Part No.	Description	Qty.	Part No.	Description	Qty.
OM-10513	Sprocket	1	A-59031	Lead-ground	1	64228	Valve	1	65896	Repair Kit	1
22820-4	Collar	1	59074	"O" Ring	1	64229	Valve	1	A-65990	Drum & Hub	1
23136-1	Sleeve	1	A-59251	Filter-fuel	1	64231	Gasket	1	67008	Gasket	1
23343	Paint-green	1	59253-1	Filter-felt	1	64233	Diaphragm	1	67009	Needle-idle	1
23475	Paint-red	1	59293	Spring	1	64235	Diaphragm	1	67010	Needle	1
23528	Wrench	1	59351	Bearing	1	64236	Spring	2	67019	Gasket Set	1
23560	Paint-white	1	59460	Spring	1	64238	Spring	1	67032	Shaft-choke	1
A-23696	Wrench	1	59625-2	Crankshaft	1	64240	Spring	1	67042	Plug	1
A-23841-A	Wrench	1	59675	Worm	1	64243	Screen	1	67080	Connector	1
23846-1	Anvil	1	59704	Screw	2	64244	Pin	1	*67088	Shaft	1
23846-2	Anvil	1	59705	Washer	2	64245	Lever	1	A-67101	Deflector	1
A-23937-B	Wrench-comb.	1	59716	Lever	1	A-64293	Filter-oil	2	67108	Piston Ring	1
23955-1	Plug	1	59717	Needle	1	A-64384	Pump-oil	1	67177	Bushing	1
23956	Plug	1	59736	Gasket	1	64400	Bushing	1	*A-67179-A	Piston & Pin	1
23957	Plug	1	59764-A	Stud	2	A-64421	Screen	1	67188	Diaphragm	1
A-23960	Puller	1	59896-A	Insert	2	64443	Bushing	1	67191	Stud	11
A-23962	Jackscrew	1	59926	Seal	1	A-64446	Pulley-starter	1	A-67228	Plug & Washer	1
A-23965	Jackscrew	1	60051	Ball	1	64448	Spring	1	*67409	Ring	1
23968	Anvil	1	60929	Grommet	1	*A-64504-B	Housing-fan	1	*67441	Spring	2
23971	Sleeve	1	63009-2	Cover	1	A-64621	Bearing	1	*67539	Spacer	1
23972	Sleeve	1	63019-1A	Spacer	1	64688	Screw	1	*67540	Gasket	2
23987	Shim	1	63115	Cap	1	64689	Screw	4	*67586-1	Pin-adj.	1
24006-1	Plate	1	*63166-A	Valve-reed	4	64692	Plug	3	*A-67602	Back Plate	1
24230	Driver	1	63195	Bearing	1	64693	Screw	2	*A-67819	Carburetor	1
A-24266	Kit-rope	1	63266-A	Rod-throttle	1	64694	Screw	4	*67875-1	Washer	1
A-24270	Kit-filter	1	63268-A	Spring	1	A-64715	Shield	1	*A-67890	Carburetor	1
A-24274	Kit-ignition	1	*A-63309-1	Rod-conn.	1	64742	Ring	1	*67892	Shutter	1
A-24275	Kit-plate	1	63316	Gasket	1	64825-4	Cover-tank	1	*67896-1	Shoe	6
A-24279	Kit-fastener	1	63317	Cover	1	65357	Grommet-oil	1	*67928	Spring	1
24304	Bit-#2	1	63319-A	Gasket	1	65391	Gasket-tank	1	*67929	Spring	1
25038	Gasket	1	63341	Element	1	65482	Plug-welch	1	67930	Screw Assy.	7
25527	Ball	2	63343-5	Body-pump	1	65483	Gasket	1	*67965	Repair Kit	1
28008	Clip	1	*A-63345	Shaft	1	65489	Screw	3	*67966	Repair Kit	1
28028	Washer	1	63367	Screw-adj.	1	A-65502	Valve-check	1	*67994	Shutter	1
28097	Plug	1	63369	Screw-idle	1	65509	Mount	1	*A-67995	Throttle	1
30818	Plug-welch	1	*63370-A	Retainer	1	65513-1	Clamp-oil	1	*A-68066	Piston & Pin	1
31734	Connector	1	*63371-B	Seat-valve	1	A-65515	Valve-check	1	OM-68210	Sprocket	1
A-33055	Terminal	1	63406	Rotor	1	65518	Grommet	2	72085-A	Plate	1
*54444	Valve-check	1	63452-A	Tube-oil	1	65519	Grommet	2	73075	Spring	2
55095	Ring	1	63462	Washer	1	65520	Screw	2	73264	Spring	1
55411	Screw	3	63463	Washer	1	65521	Screw	2	74060	Gasket	1
55537	Piston Ring	1	63520-3	Cap-muffler	1	65542	Spacer	1	74388	"O" Ring	1
55759	Spring	1	63521-A	Baffle	1	65593	Line-fuel	1	75078	Key	1
55871	Stud	4	A-63535-1A	Body-muffler	1	65597-1	Clamp	1	76413	Spring	1
56607	Gasket	1	A-63540-A	Arrester	1	65598	Plate	1	76421	Screw	1
A-57650-3	Switch	1	63547-S	Spark Plug	1	65599	Plate	1	FASTENING PARTS		
A-57834-16	Plunger-oil	1	63565-A	Shield-(outer)	1	*65605-3	Cylinder	1	80223-2	8-32 x 5/8	1
58138	Washer	1	63566	Shield-(inner)	1	*65607-2	Bracket	1	80048-1	1/4-20 x 5/8	7
58190-S	Bearing	1	A-63582-A	Nut	1	A-65608	Valve-check	1	80248	8-32 x 3/4	3
58319-A	Ring	2	63622	Button	1	65613	"O" Ring	1	80264	4-40 x 3/16	2
58338	Gasket	1	63625	Coil	1	65629-1	Plate	1	80275	6-32 x 3/8	4
58339	Cap	1	63626	Condenser	1	65630	Lever	1	80361-1	10-32 x 1/2	2
58348	Boot-rod	1	63627	Clamp	1	65660-1	Clamp-oil	1	80428	1/4-20 x 1	1
58392-1	Gasket	1	63628	Retainer	1	A-65682	Line-oil	1	80560	8-32 x 1/2	2
58406	"O" Ring	1	63630	Core	1	65695	Connector	1	80571	6-32 x 3/8	6
58688-A	Seal	2	A-63631	Points	1	65696	Fitting-tube	1	80568	8-32 x 7/8	2
58751-1	Cover	1	63632	Lead-tension	1	A-65705	Line-oil	1	80591	4-40 x 1/4	4
58756	Pawl	2	63634-1	Cover	1	65714	Spring	1	80605	6-32 x 5/16	1
58757-B	Stud	2	63676	Screw-main	1	65718	Line-fuel	1	80648	10-32 x 1/2	1
58758	Spring	2	63677	Screw-idle	1	65719	Pin-adj.	1	80676	12-24 x 5/8	8
58763	Washer	1	A-63717-A	Cap-oil	1	65723-2	Spider	1	80805	8-32 x 9/16	2
58781	Plate-(inner)	1	63718	Valve-check	1	A-65727	Spkt. & Drum	1	80821	12-24 x 1/2	1
58782	Plate-(outer)	1	A-63720	Kit-bumper	1	A-65728	Spkt. & Drum	1	80867	12-24 x 3/4	2
58806	Rope	1	63726	Clip	1	A-65731	Spkt. & Drum	1	80891	12-24 x 7/8	1
58847	Insert	1	63751	Gasket	1	A-65732	Spkt. & Drum	1	80919	4-40 x 1/4	2
58851	Washer	2	63778-1	Gasket-cyl.	1	65745	Trigger	1	80965	10-32 x 2	2
58858	Grommet	1	63779-B	Gasket	1	65798	Screw	1	80978	12-24 x 5/8	3
58915	Grip	1	63848	Plug	2	A-65801	Valve	1	81065-2	Nut-1/4-28	4
A-58934	Block	1	63855-A	Screw	3	A-65809	Cap-fuel	1	81068	Nut-12-24	2
58957	Gasket	1	64021	Screw	4	65821-1	Clamp	1	81108	Nut-1/4-20	1
58974	Screen	1	64049-A	Lock	1	65822	Pin	1	81124	Nut-3/8-24	1
58975	Cover	1	64090	Screw	1	65825	Washer	1	81126	Nut-6-32	6
58977	Pin	1	64102-A	Screw	1	65830	Bushing	1	81196	Nut-5/16-18	2
58978	Gasket	1	64124	Bearing	1	A-65860-1	Handle Bar	1	82146	8-32 x 5/8	6
58979	Cover	1	64129	Race-inner	1	65878	Bushing	1	82147	8-32 x 1 3/4	9
58980-R	Diaphragm	1	64144	Decal	1	*A-65879-A	Crankcase	1	83008-1	Washer-#4	6
58981	Gasket	1	64221	Ring	1	A-65881-B	Handle	1	83009	Washer-1/4	4
58982	Clip	1	64222	Cover	1	A-65882-A	Cover-handle	1	83024	Washer-#6	4
58984	Shutter	1	64223	Cover-pump	1	A-65883	Valve	1	83046	Washer-#10	2
58988	Diaphragm	1	64224	Cover	1	65889	Plug	2	83056	Washer-#12	2
58991	Plug	1	64225	Shaft	1	65895	Gasket Set	1	83102	Washer-3/8	1
59000	Line-oil	2	64226	Valve	1				84010-1	Washer-3/8	1
									84032	Washer-5/16	2