

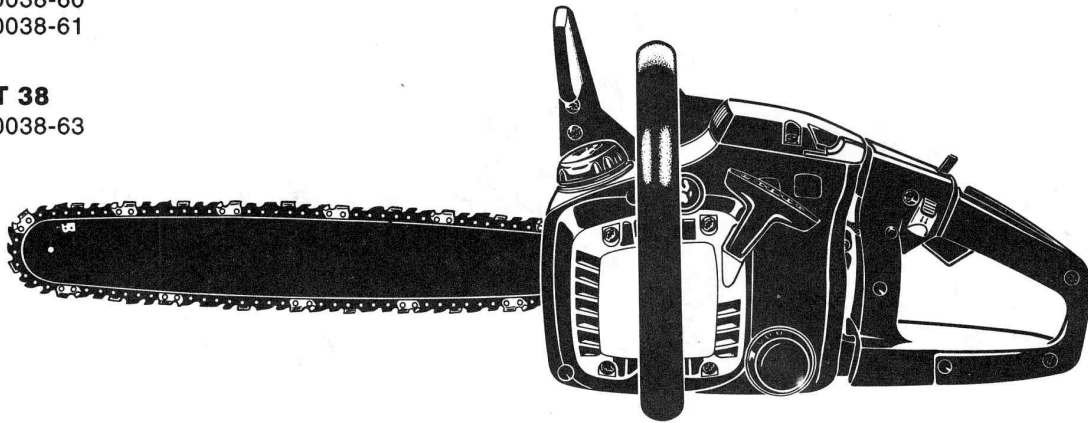
MAC CAT 839

- 11600038-32
- 11600038-33
- 11600038-53
- 11600038-60
- 11600038-61

CAST 38

- 11600038-63

P/N 211445-01



JUNE 1995

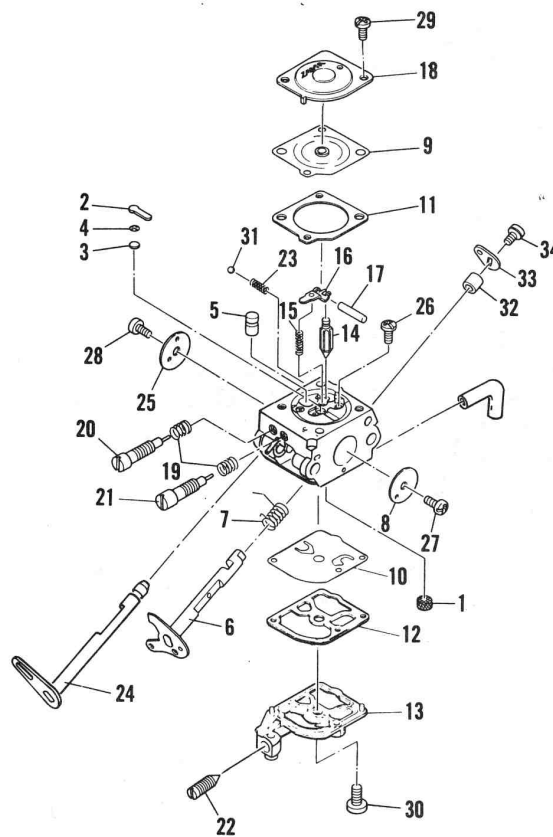
McCULLOCH®

© McCulloch Corporation, 1995 • Printed in U.S.A.

323654-01 ZAMA M33C

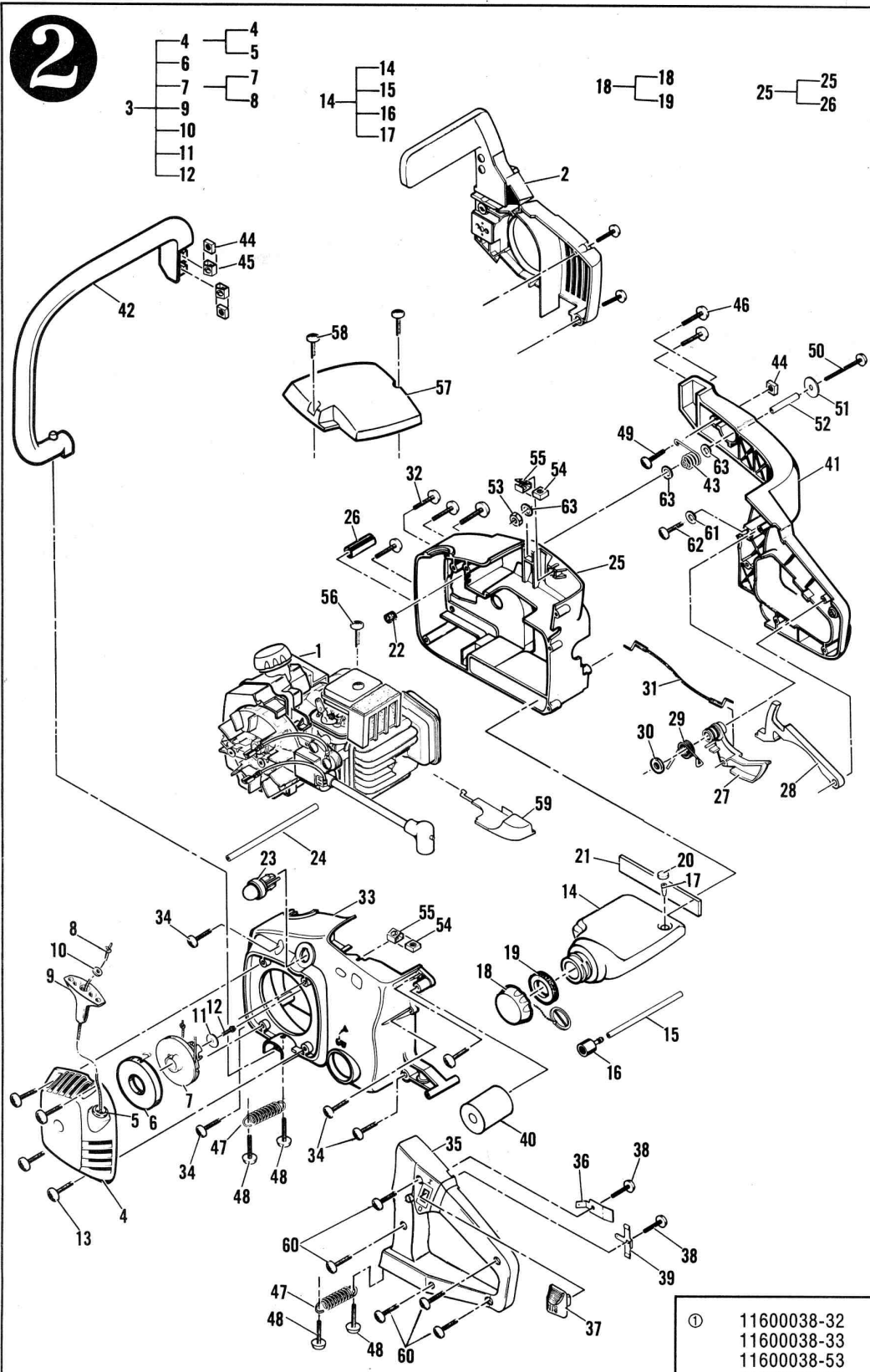
1

1	①	1
2	①	1
3	---	1
4	---	1
5	---	1
6	---	1
7	---	1
8	---	1
9	①②	1
10	①②	1
11	①②	1
12	①②	1
13	---	1
14	①	1
15	①	1
16	①	1
17	①	1
18	---	1
19	---	2
20	---	1
21	---	1
22	---	1
23	---	1
24	---	1
25	---	1
26	---	1
27	---	1
28	---	1
29	---	2
30	---	1
31	---	1
32	---	1
33	---	1
34	---	1



- ① 301041 (RB-39)
- ② 301042 (GND-35)

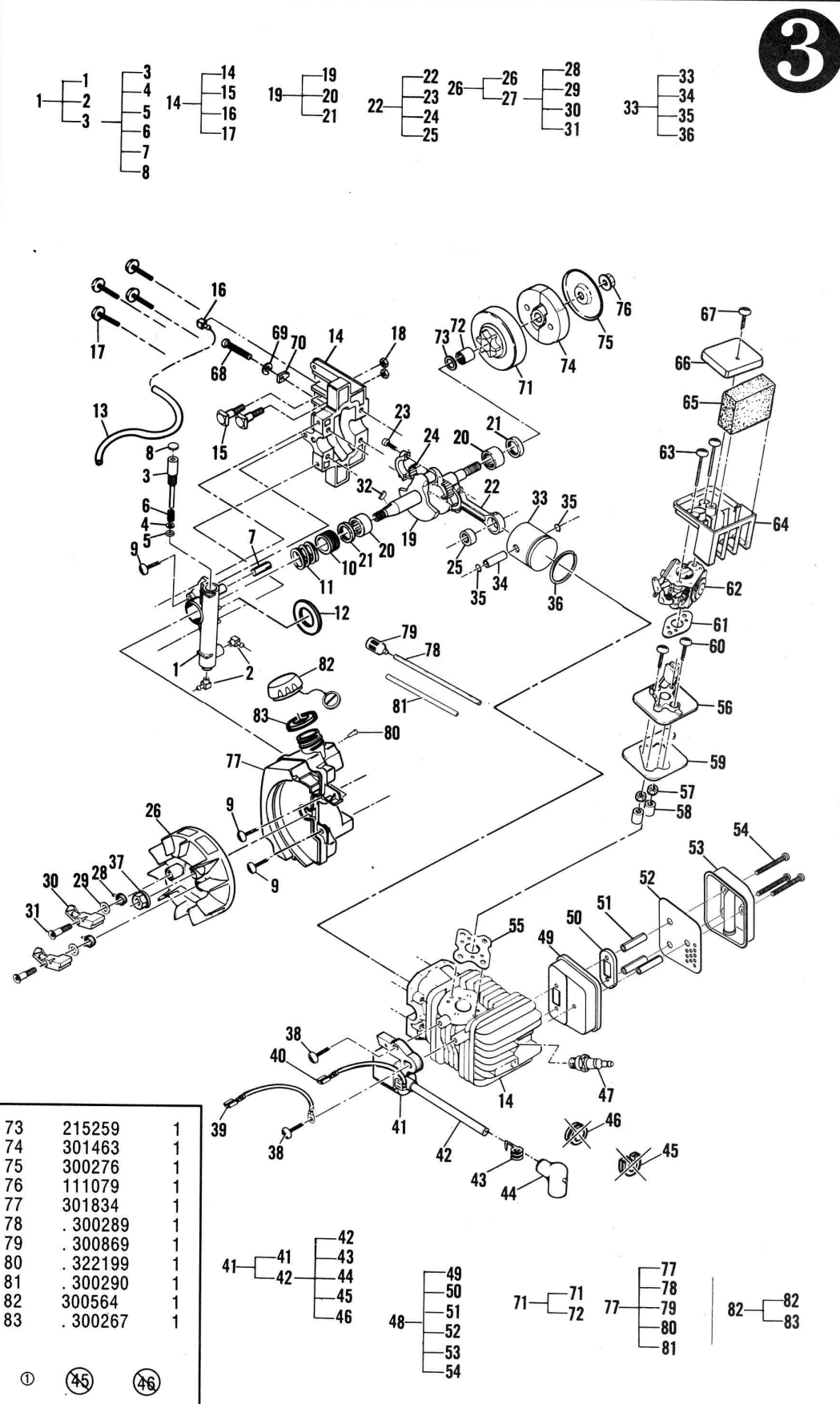
2



1	FIGURE 3	
2	FIGURE 4	
3	① 300264	1
	② 301078	1
4	① . 301044	1
	② . 301654	1
5	.. ---	1
6	. 300475	1
7	. 301043	1
8	.. 300300	1
9	. 87851	1
10	. 223944	1
11	. 300297	1
12	. 300294	1
13	300294	4
14	300260	1
15	. 300289	1
16	. 300870	1
17	. 300256	1
18	300565	1
19	. 300269	1
20	300259	1
21	322195	1
22	300259	1
23	224242-01	1
24	300298	1
25	301056	1
26	. 111098	1
27	224821	1
28	224822	1
29	224823	1
30	111128	1
31	322170	1
32	219881	4
33	322161	1
34	300294	5
35	322164	1
36	322178	1
37	68846	1
38	223357	2
39	224844	1
40	300287	1
41	322163	1
42	322162	1
43	322165	1
44	218005	3
45	300292	2
46	219881	2
47	322166	2
48	300294	4
49	217935	1
50	218083	1
51	322176	1
52	322175	1
53	111135	1
54	218005	2
55	300292	2
56	217936	1
57	224830	1
58	111099	2
59	224826	1
60	300294	5
61	300297	1
62	300294	1
63	93469	3

①	11600038-32
	11600038-33
	11600038-53
	11600038-60
	11600038-61
②	11600038-63

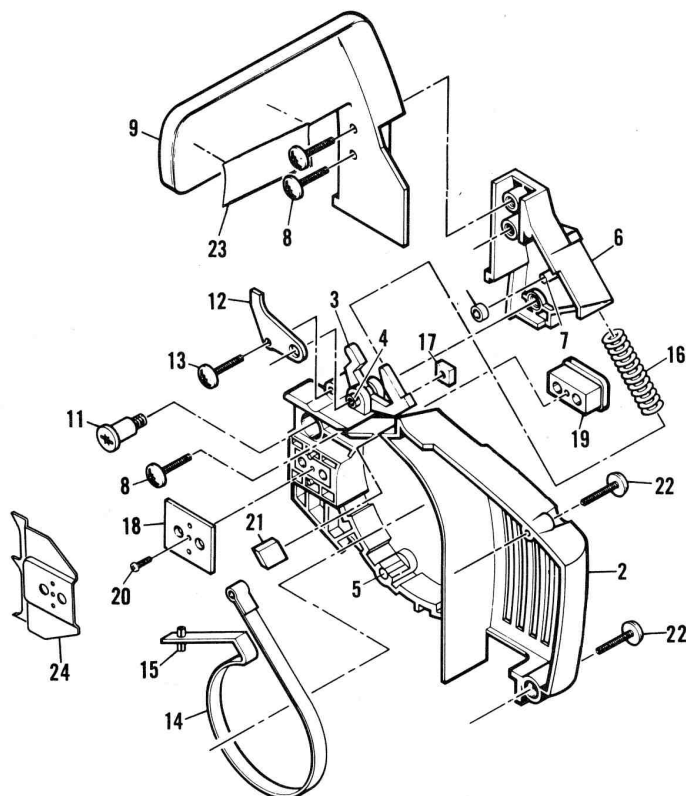
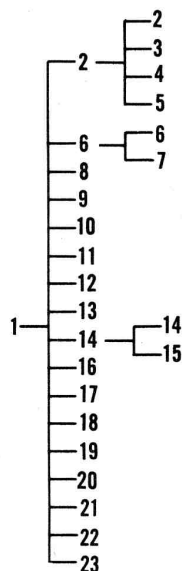
1	301304	1
2	. 322182	2
3	. 301084	1
4	.. 110582	1
5	.. ---	1
6	.. ---	1
7	.. ---	1
8	.. 322187	1
9	219881	3
10	224814	1
11	224840	1
12	300295	1
13	300288	1
14	301055	1
15	. 83856	2
16	. 300257	1
17	. 111083	4
18	110676	2
19	302140	1
20	. 213282	2
21	. 83859	2
22	94135	1
23	. 94654	2
24	. 68095	1
25	. 110984	1
26	222778	1
27	. 300763-01	1
28	.. 216982	2
29	.. 111131	2
30	.. ---	2
31	.. 322721	2
32	102164	1
33	301054	1
34	. 92836	1
35	. 111026	2
36	. 301053	1
37	110961	1
38	217936	2
39	300555	1
40	300556	1
41	302138	1
42	. 223884	1
43	.. 102556	1
44	.. 95266	1
45	① .. 110995	1
46	① .. 215533-01	1
47	322208	1
48	301402	1
49	. 300280	1
50	. 300281	1
51	. 322206	3
52	. 323081	1
53	. 322205	1
54	. 218083	3
55	300265	1
56	224820	1
57	105367	2
58	322188	2
59	224850	1
60	217937	2
61	300293	1
62	FIGURE 1	1
63	218083	2
64	224824	1
65	224831	1
66	224825	1
67	111055	1
68	223088	1
69	110907	1
70	68656	1
71	301331	1
72	. 91117	1



73	215259	1
74	301463	1
75	300276	1
76	111079	1
77	301834	1
78	. 300289	1
79	. 300869	1
80	. 322199	1
81	. 300290	1
82	300564	1
83	. 300267	1

① (45) (46)

4



1	① 301227	1
	② 301228	1
2	① . 301464	1
	② . 301560	1
3	. 216755	1
4	. ---	1
5	. ---	2
6	. 301038	1
7	. ---	1
8	. 219881	3
9	. 323082	1
10	. 224849	1
11	. 224847	1
12	. 224848	1
13	. 300294	1
14	. 301037	1
15	. ---	1
16	. 322204	1
17	. 218005	1
18	. 300275	1
19	. 300271	1
20	. 111101	1
21	. 322194	1
22	. 300299	2
23	. 46760-14	1
24	. 322181	1
①	11600038-32	
	11600038-33	
	11600038-53	
	11600038-60	
	11600038-61	
②	11600038-63	

LOCTITE®



③ 32	219881	620
⑥ 9	219881	242
⑥ 14	301055	518
⑥ 17	111083	242
⑥ 38	217936	242
⑥ 42	223884	380
④ 8	219881	242
④ 11	224847	242

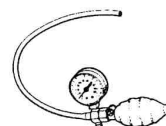
322235-01	
. 322236	620 (10ml)
. 322237	242 (10ml)
. 322238	518 (50ml)
. 322239	380 (30ml)
. 323749	262 (10ml)
. 323762	767 (30ml)



N•m

LOCTITE®

③ 37	110961	20.3	---
③ 47	322208	17	---
③ 54	218083	5.5	626
③ 63	218083	3.4 - 4.5	---
③ 76	111079	20.3	---



215432



217720



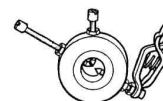
111124

T 27



222785

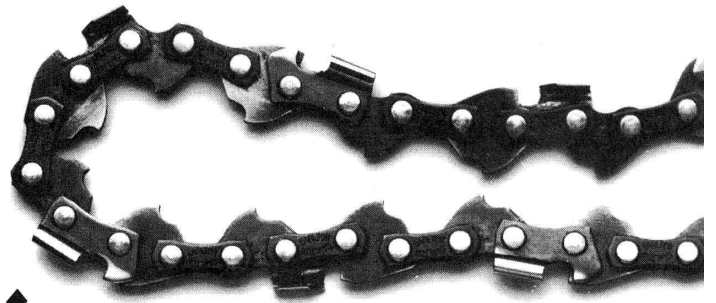
T 25



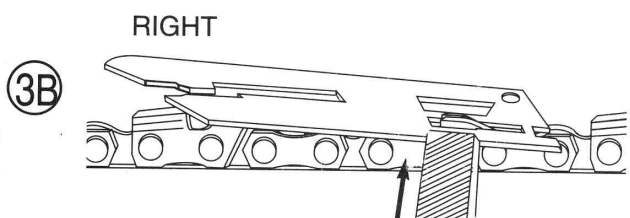
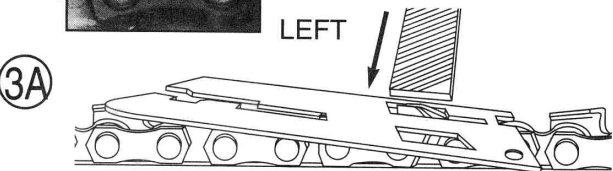
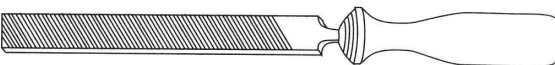
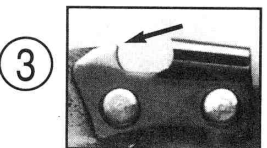
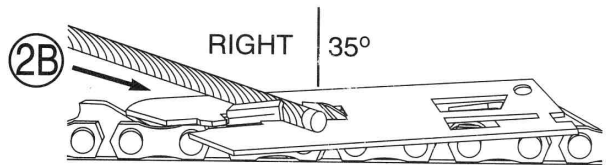
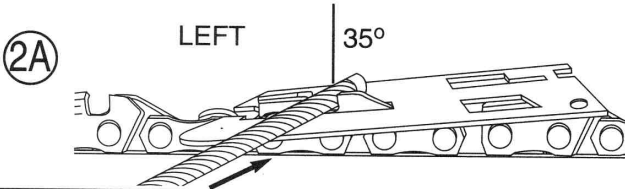
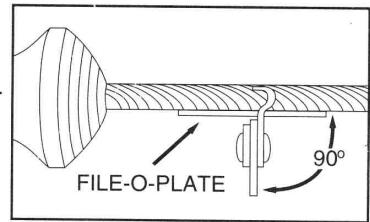
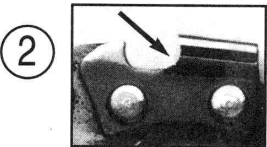
323330



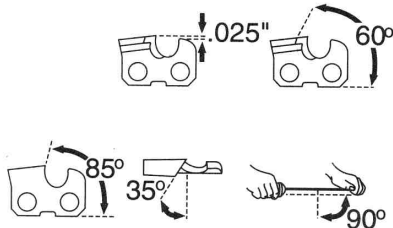
91424



i



P/N 211605



MPG 370 GLX	301733	5/32" (4.0 mm)
MMG 370 GLX	301733	5/32" (4.0 mm)
PATENT NO. 3, 365, 805 4, 095, 490 4, 425, 830		
4, 473, 958 4, 484, 504		